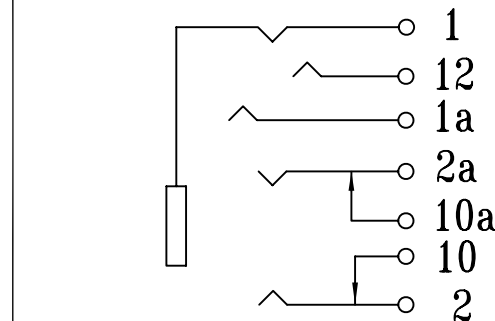
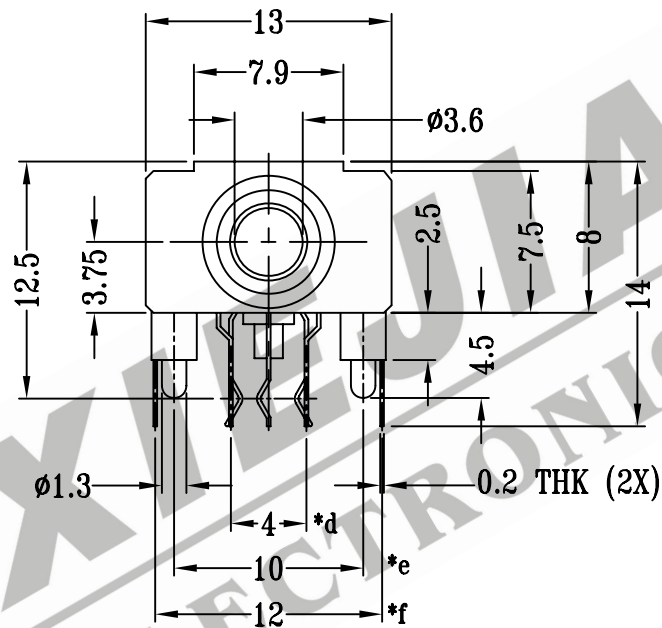
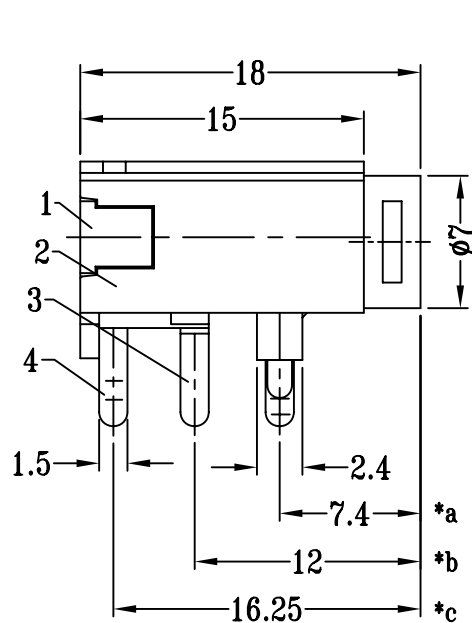
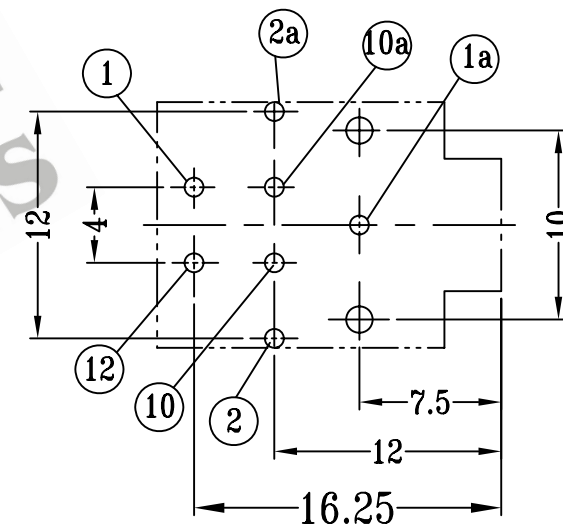


CAD FILE:



SCHEMATIC



P.C.B LAYOUT

10	SOCKET	BRASS	1	Ni PLATED
9	TERMINAL G	BRASS STRIP	1	Ag PLATED OVER Ni PLATED
8	TERMINAL F	PBS STRIP	1	Ag PLATED OVER Ni PLATED
7	SPRING TERMINAL E	BRASS STRIP	1	Ag PLATED OVER Ni PLATED
6	SPRING TERMINAL C	PBS STRIP	1	Ag PLATED OVER Ni PLATED
5	TERMINAL A	PBS STRIP	1	Ag PLATED OVER Ni PLATED
4	SPRING TERMINAL B	PBS STRIP	1	Ag PLATED OVER Ni PLATED
3	SPRING TERMINAL D	PBS STRIP	1	Ag PLATED OVER Ni PLATED
2	CASE	POM	1	BLACK
1	COVER	POM	1	BLACK
NO.	PARTS	MATERIALS	Q'TY	FINISH

TOLERANCE UNLESS SPECIFIED		SHENZHEN XIEJIA ELECTRONICS CO.,LTD.		
WITHIN: 1.5±0.1mm OVER: 1.5±0.2mm				
ISSUE	DATE	DESCRIPTIONS OF REVISION		APPD.
TITLE : PHONE JACK		UNIT : mm	DRWG NO.: XJ-DR-ST410-00	
MODEL: ST-410		SCALE: 5:2	DWN. ZHOUYU	2006-1-18
ALL MATERIALS MUST BE COMPLIANT TO ROHS			CHK'D FANGYING	2006-1-18
			APPD. KANGXINAN	2006-1-18

注：“*”表示关键尺寸（6个）